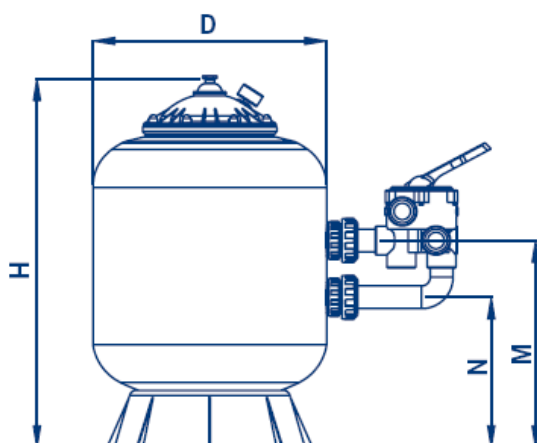
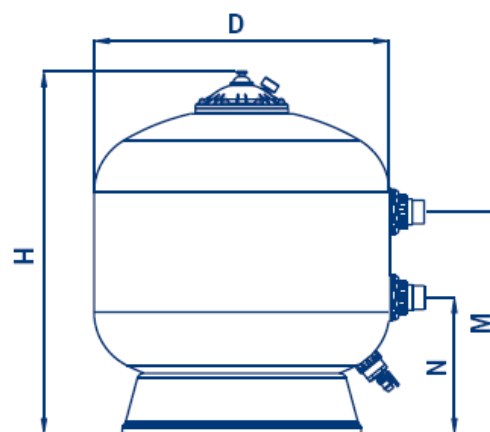


PRODUCTO: **Filtros BERLÍN**

PRODUCT: **BERLIN filters**



**Con válvula lateral/ with multiport valve**



**Sin válvula / without multiport valve**

|                               | Con válvula lateral |        |         | Sin válvula |         |         | Monoblocs |        |
|-------------------------------|---------------------|--------|---------|-------------|---------|---------|-----------|--------|
|                               | 00541               | 00542  | 00543   | 00544       | 00545   | 00546   | 00547     | 00548  |
| Ø D mm                        | 500                 | 600    | 750     | 900         | 1050    | 1200    | 500       | 600    |
| H mm                          | 805                 | 910    | 1050    | 1145        | 1300    | 1450    | -         | -      |
| M mm                          | 450                 | 505    | 610     | 685         | 810     | 870     | -         | -      |
| N mm                          | 325                 | 380    | 380     | 415         | 500     | 560     | -         | -      |
| Conexiones                    | 1½"                 | 1½"    | 2"      | 2½"         | *D75    | **D90   | 1½"       | 1½"    |
| Caudal m³/h a 50 m³/h/m²      | 9                   | 14     | 21      | 30          | 43      | 56      | 9         | 14     |
| Piscina (volumen) m³          | 50-75               | 75-115 | 115-170 | 170-240     | 240-350 | 350-450 | 50-75     | 75-115 |
| Carga de arena kg             | 100                 | 175    | 300     | 525         | 575/300 | 800/300 | 100       | 175    |
| Presión máx de trabajo kg/cm² | 2,5                 | 2,5    | 2,5     | 2,5         | 2,5     | 2,5     | 2,5       | 2,5    |
| Peso neto kg                  | 14,6                | 18,6   | 27,5    | 43,4        | 83      | 93      | -         | -      |
| Volumen embalaje m³           | 0,23                | 0,36   | 0,26    | 0,99        | 1,92    | 2,75    | -         | -      |

|                              | Side mounted valve |        |         | Without valve |         |         | Monoblocs |        |
|------------------------------|--------------------|--------|---------|---------------|---------|---------|-----------|--------|
|                              | 00541              | 00542  | 00543   | 00544         | 00545   | 00546   | 00547     | 00548  |
| Ø D mm                       | 500                | 600    | 750     | 900           | 1050    | 1200    | 500       | 600    |
| H mm                         | 805                | 910    | 1050    | 1145          | 1300    | 1450    | -         | -      |
| M mm                         | 450                | 505    | 610     | 685           | 810     | 870     | -         | -      |
| N mm                         | 325                | 380    | 380     | 415           | 500     | 560     | -         | -      |
| Connections                  | 1½"                | 1½"    | 2"      | 2½"           | *D75    | **D90   | 1½"       | 1½"    |
| Flow rate m³/h at 50 m³/h/m² | 9                  | 14     | 21      | 30            | 43      | 56      | 9         | 14     |
| Pool (volume) m³             | 50-75              | 75-115 | 115-170 | 170-240       | 240-350 | 350-450 | 50-75     | 75-115 |
| Sand kg                      | 100                | 175    | 300     | 525           | 575/300 | 800/300 | 100       | 175    |
| Maxi working pressure kg/cm² | 2.5                | 2.5    | 2.5     | 2.5           | 2.5     | 2.5     | 2.5       | 2.5    |
| Net weight kg                | 14.6               | 18.6   | 27.5    | 43.4          | 83      | 93      | -         | -      |
| Packaging volume m³          | 0.23               | 0.36   | 0.26    | 0.99          | 1.92    | 2.75    | -         | -      |