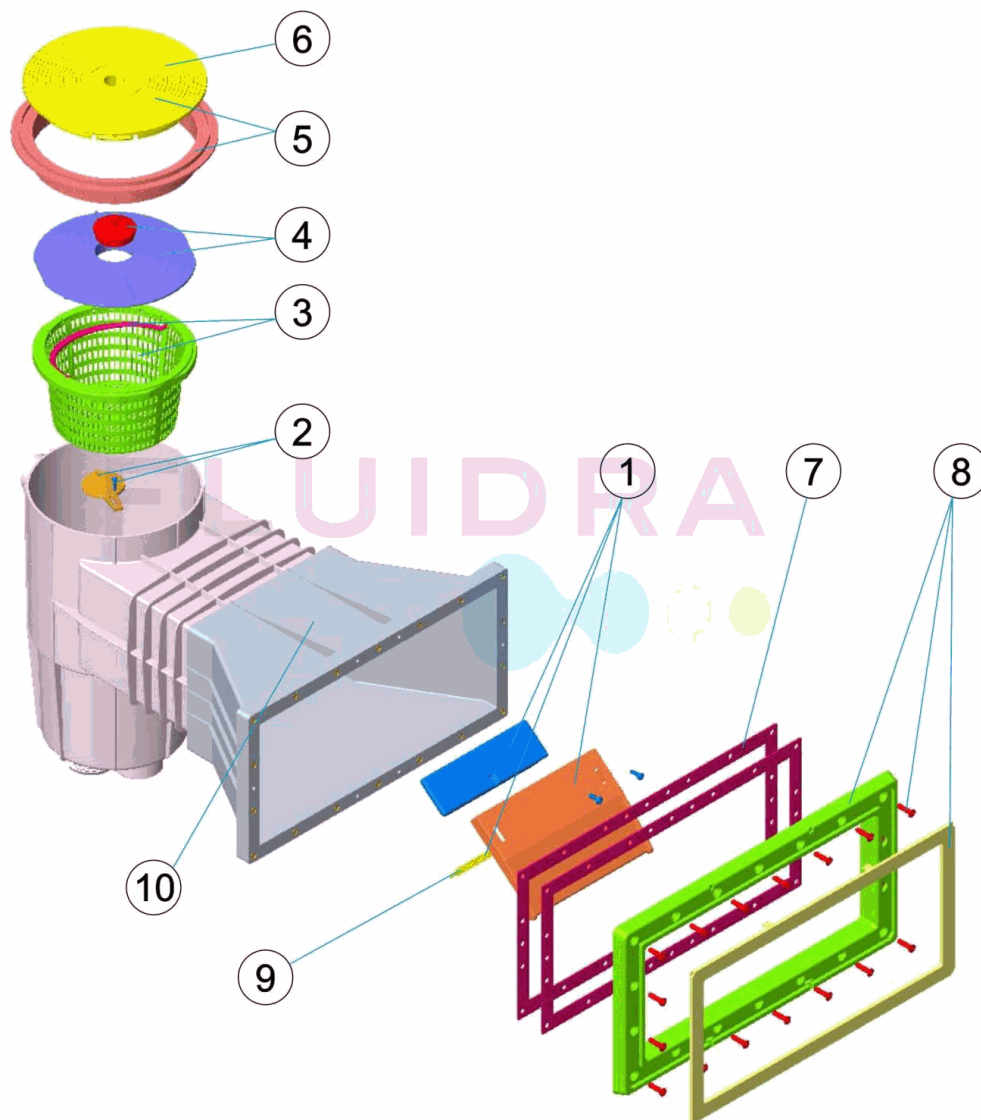


CODIGO **01463**

DESCRIPCION: **SKIMMER 15L PP. B.AMPLIACION T.CIRC.**

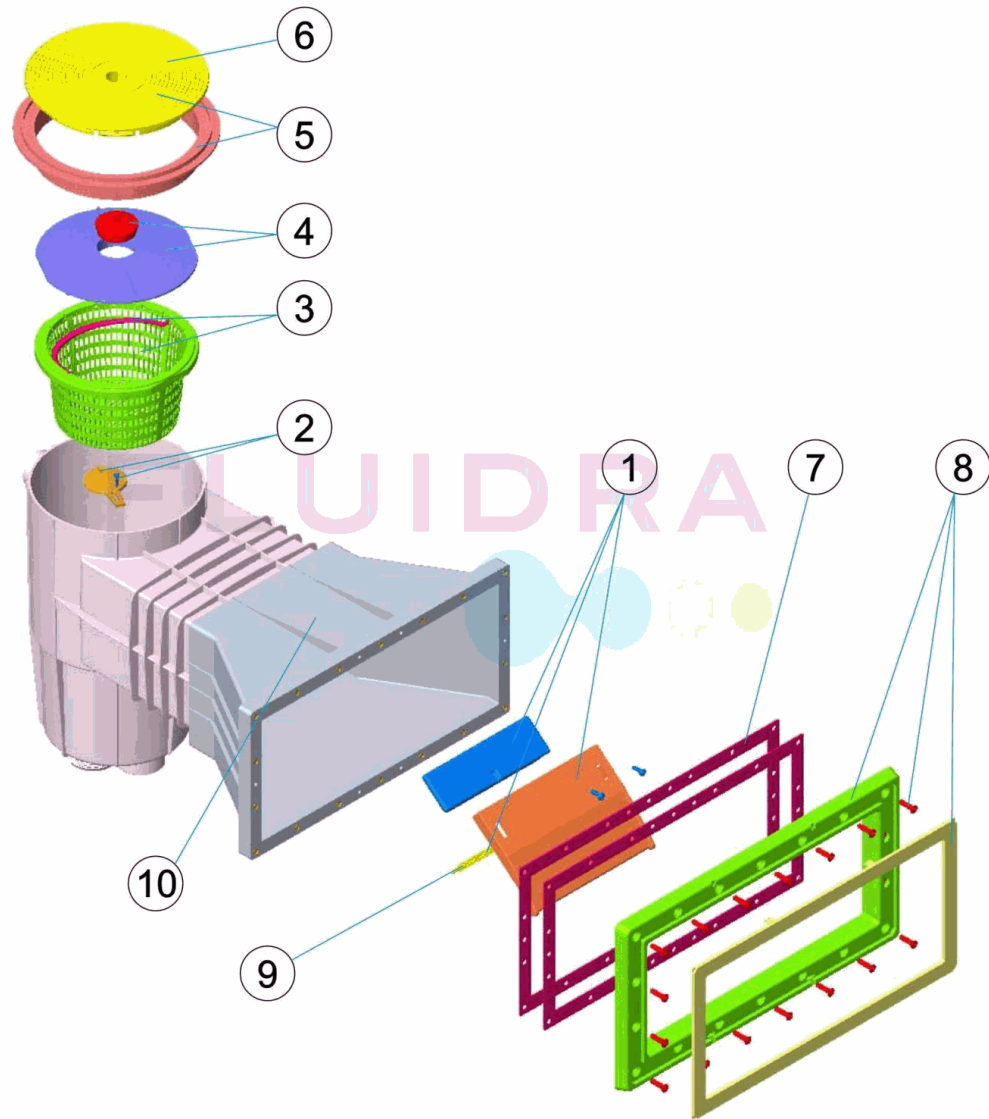


**ESPAÑOL**

POS	CODIGO	DESCRIPCION	POS	CODIGO	DESCRIPCION
1	4402010101	COMPUERTA SKIMMER BISAGRA	6	4402010108	TAPA CIRCULAR SKIMMER
2	4402010102	CLAPETA SKIMMER	7	4402010407	JUNTA SKIMMER GRANDE PISC. PREF.
3	4402010103	CESTO SKIMMER	8	4402010408	MARCO BOCA SKIMMER PISC. PREF.
4	4402010104	TAPA CESTO SKIMMER CON TAPON	9	4402010110	BISAGRA COMPUERTA
5	4402010105	TAPA Y ARO CIRCULAR SKIMMER	10	02211R2001	BOCA AMPLIACION

CODE **01463**

DESCRIPTION: **SKIMMER 15L PP. O.ÉLARGISSEMENT C.CIRC.**

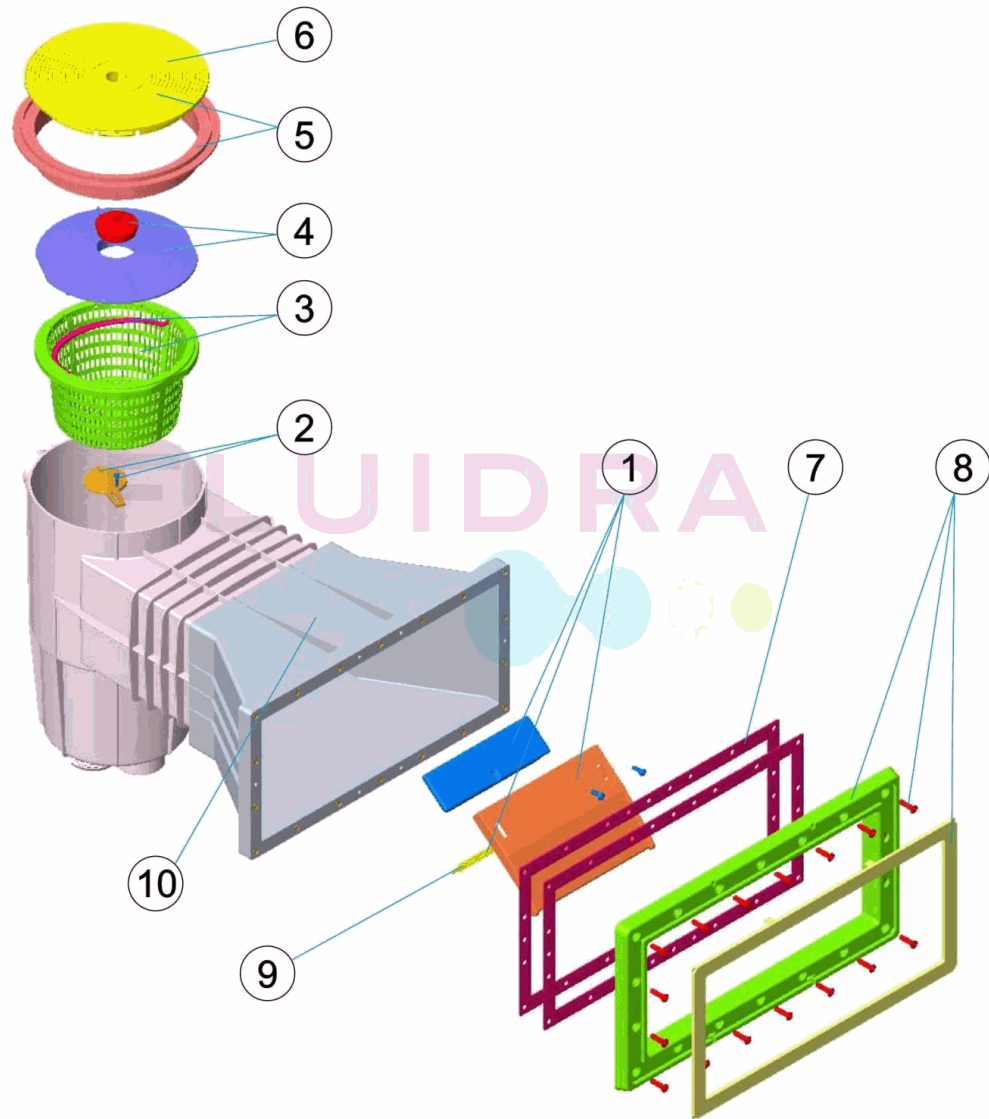


**FRANCAIS**

POS	CODE	DESCRIPTION	POS	CODE	DESCRIPTION
1	4402010101	VOLET ET CHARNIERE SKIMMER	6	4402010108	COUVERCLE ROND SKIMMER
2	4402010102	CLAPET SKIMMER	7	4402010407	JOINT SKIM GRAND MOD PISCINE LINER
3	4402010103	PANIER SKIMMER	8	4402010408	BRIDE ET CACHE VIS KIT LINER
4	4402010104	COUVERCLE PANIER SKIMMER AVEC BOUCHON	9	4402010110	CHARNIERE VOLET
5	4402010105	COUVERCLE ET CADRE ROND SKIMMER	10	02211R2001	MEURTRIÈRE

CODE **01463**

DESCRIPTION: **SKIMMER 15L PP B.EXTENSION CIRC. COVER**

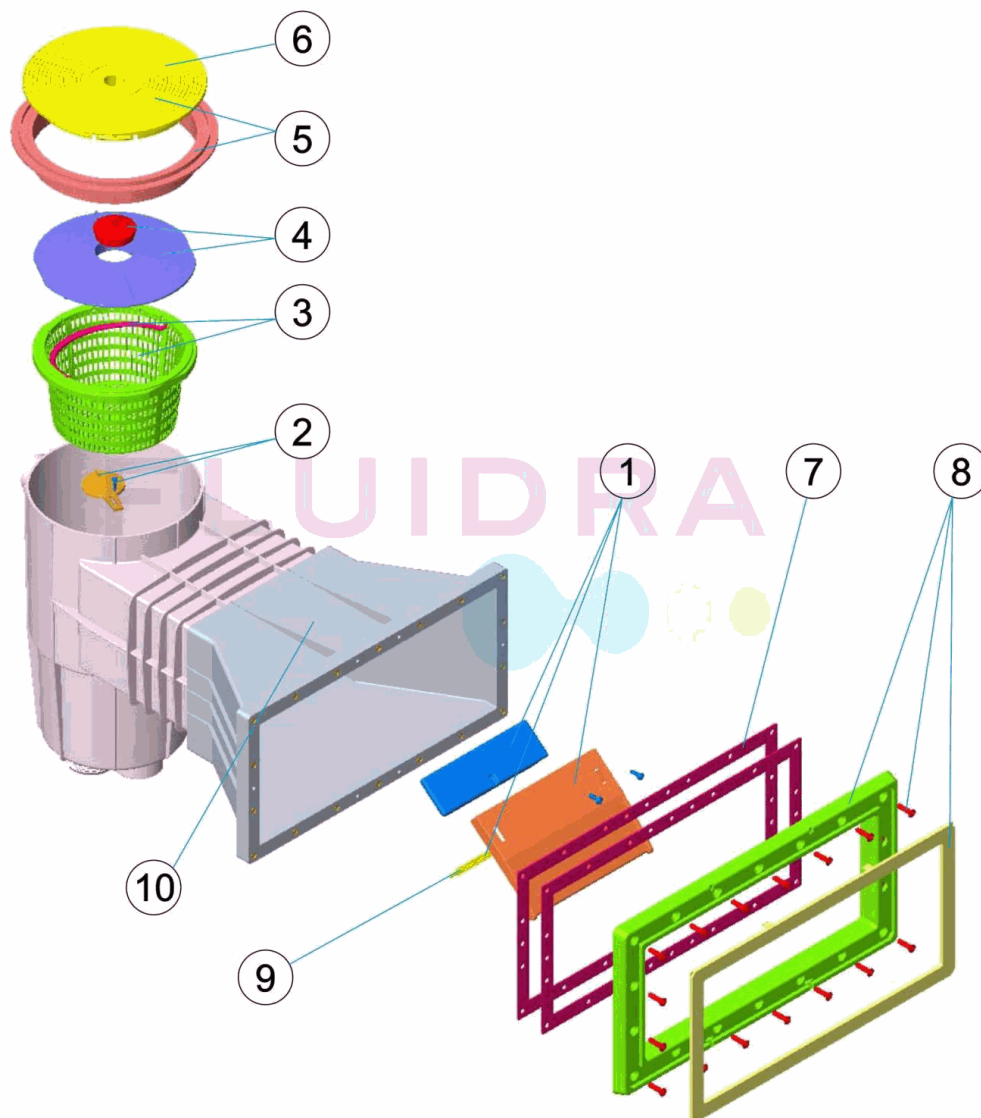


**ENGLISH**

POS	CODE	DESCRIPTION	POS	CODE	DESCRIPTION
1	4402010101	FLAP RETAINING CLIP	6	4402010108	CIRCULAR SKIMMER LID
2	4402010102	KEYHOLE FLAP	7	4402010407	LARGE SKIMMER GASKETS FOR LINER
3	4402010103	SKIMMER BASKET	8	4402010408	SKIMMER FRAME FOR LINER
4	4402010104	VACUUM PLATE WITH PLUG	9	4402010110	HINGE FLAP
5	4402010105	CIRCULAR LID AND LID FRAME	10	02211R2001	WIDE THROAT

CODICE **01463**

DESCRIZIONE: **SKIMMER 15L PP B. AMPLIAZIONE T. CIRC.**

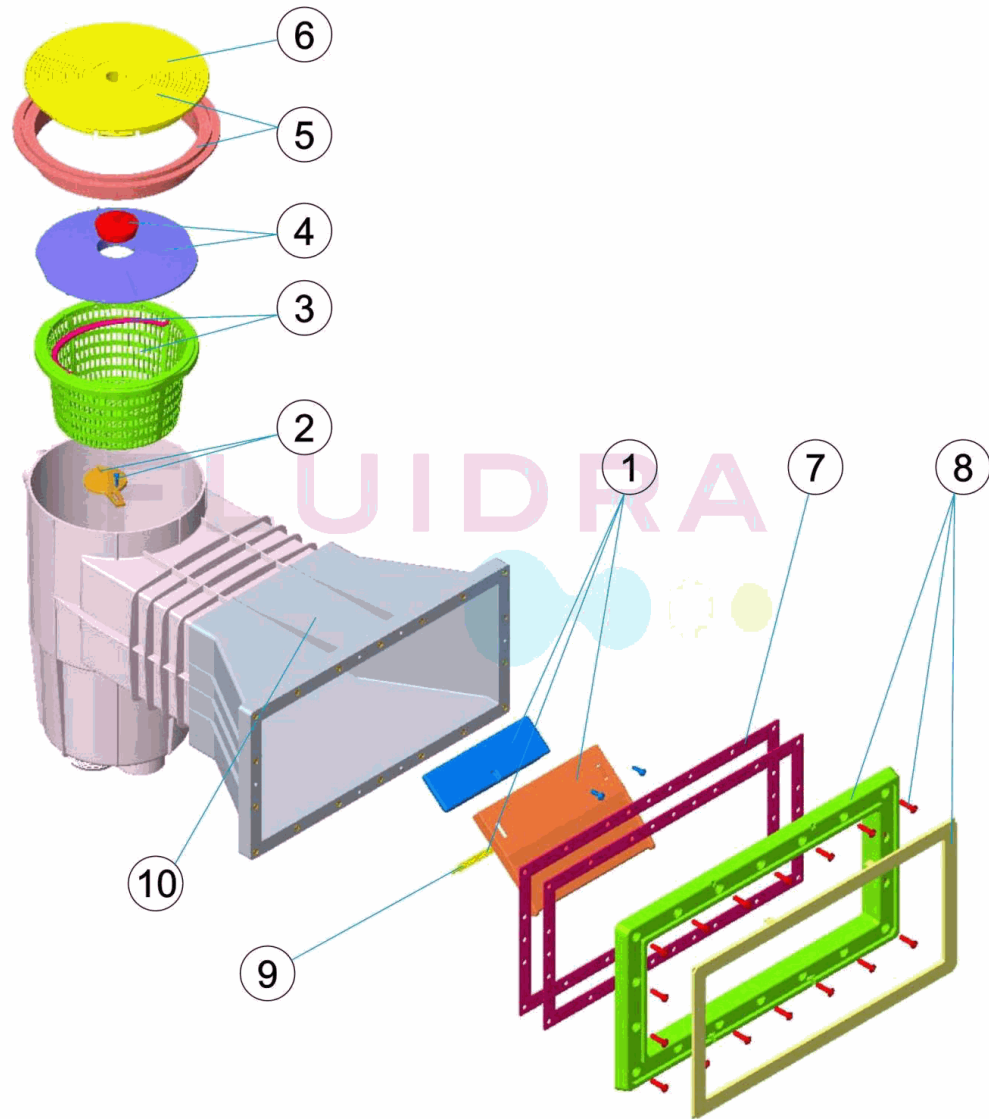


**ITALIANO**

POS	CODICE	DESCRIZIONE	POS	CODICE	DESCRIZIONE
1	4402010101	BATTENTE SKIMMER CON PERNO	6	4402010108	COPERCHIO TONDO SKIMMER
2	4402010102	ALETTA PARZIALIZZATRICE SKIMMER	7	4402010407	GUARNIZIONE PER SKIMMER BOCCA A V PER P.F
3	4402010103	CESTELLO SKIMMER	8	4402010408	FLANGIA BOCCA SKIMMER PER PISCINA IN C.A.
4	4402010104	COPERCHIO CESTELLO SKIMMER CON TAPPO	9	4402010110	CERNIERE BATTENTE
5	4402010105	COPERCHIO E CORNICE TONDA SKIMMER	10	02211R2001	BOCCA LARGA

CODE **01463**

BESCHREIBUNG: **SKIMMER 15L PP. EINLASS ERWEITERT ABDECKUNG RUND**

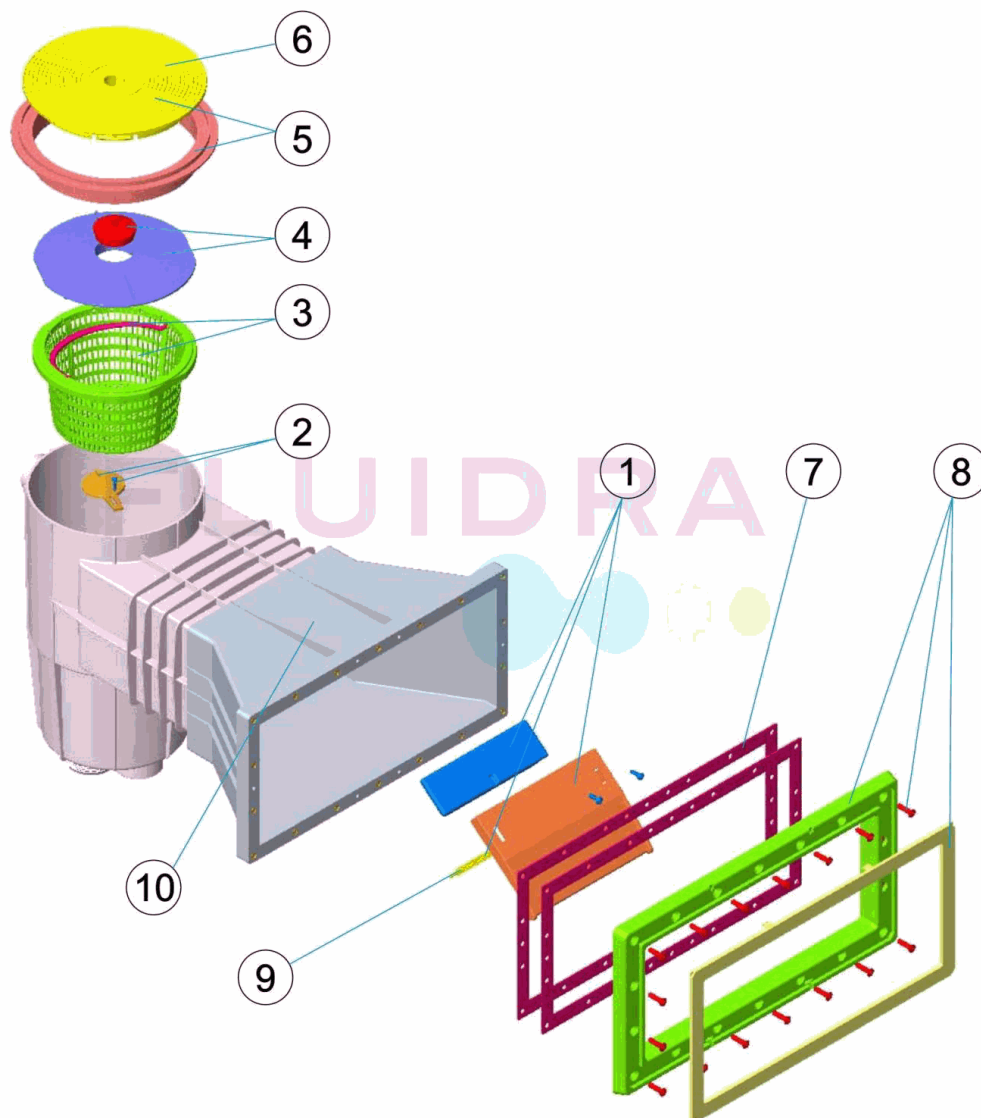


**DEUTSCH**

POS	CODE	BESCHREIBUNG	POS	CODE	BESCHREIBUNG
1	4402010101	SKIMMERKLAPPE SCHARNIER	6	4402010108	ABDECKUNG RUND SKIMMER
2	4402010102	SKIMMERKLAPPE	7	4402010407	DICHTUNG SKIMMER GROSS FERTIGBECKEN
3	4402010103	SKIMMERKORB	8	4402010408	RAHMEN SKIMMEREINLASS FERTIGBECKEN
4	4402010104	ABDECKUNG SKIMMKORB MIT STOPFEN	9	4402010110	SCHARNIER Klappe
5	4402010105	ABDECKUNG UND RING SKIMMER RUND	10	02211R2001	EINLASS ERWEITERT

CODIGO **01463**

DESCRIÇÃO: **SKIMMER 15 L PP. B. AMPLIAÇÃO T.CIRC.**



**PORTUGUES**

POS	CODIGO	DESCRIÇÃO	POS	CODIGO	DESCRIÇÃO
1	4402010101	COMPORTA SKIMMER BISAGRA	6	4402010108	TAMPA CIRCULAR SKIMMER
2	4402010102	CLAPETA SKIMMER	7	4402010407	JUNTA GRANDE DE SKIMMER
3	4402010103	CESTO SKIMMER	8	4402010408	CAIXILHO BOCA SKIMMER
4	4402010104	TAMPA CESTO SKIMMER	9	4402010110	DOBRADIÇA COMPORTA
5	4402010105	TAMPA E ARO CIRCULAR SKIMMER	10	02211R2001	BOCA DE AMPLIAÇÃO